



Know-how makes the difference

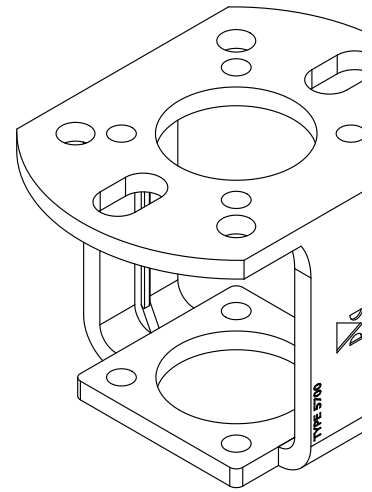


Brackets



With Dansk Ventil Center as your business partner, you are always guaranteed a wide and well sorted product range and a unique technical know-how

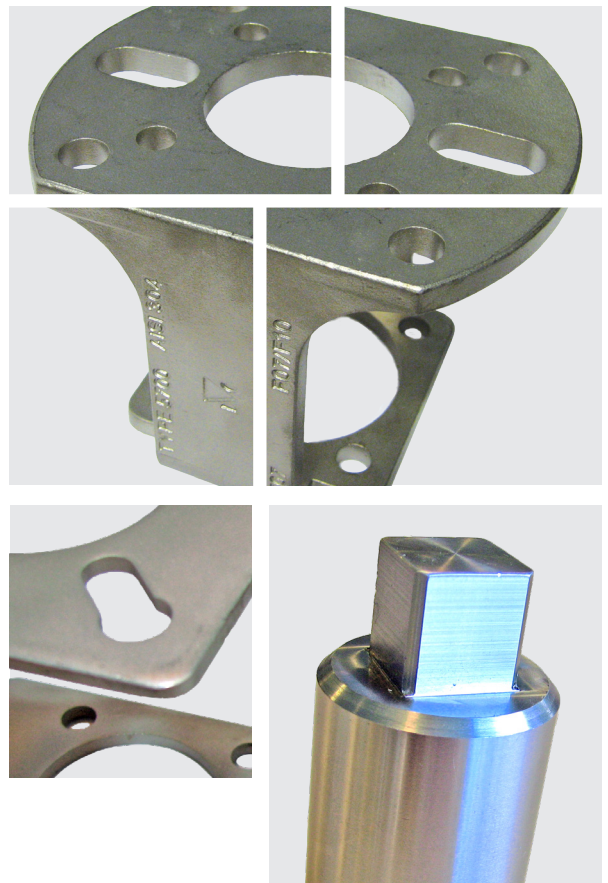
Product development is a key factor for DVC, ensuring you the best products at any time



Heavy-duty
CE approved
Long Service
Easy Mounting
Easy Adjusting
Value for Money

What is important to you, when you buy brackets? What about: Easy mounting? Adjustability? Long service? Robust design? Easy and safe maintenance?

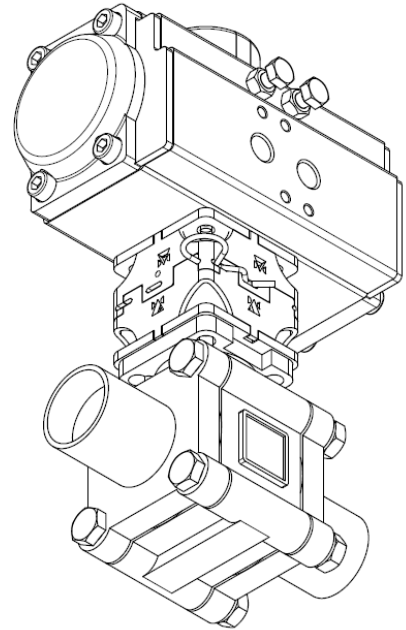
Brackets from DVC are characterized by their easy mounting and easy adjusting. The brackets are available in a wide range of dimensions and at very competitive prices.



Quick Brackets

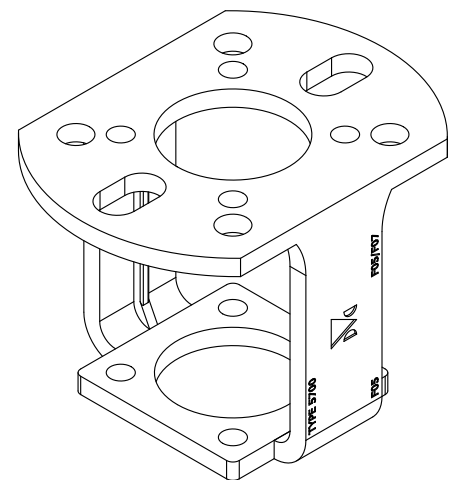


- **Adjustable**
Type 5750 can easily be adjusted to various dimensions of valves ranging from 42 mm - 87 mm in height. F03 - F10 (ISO 5211 top / bottom flange).
- **Easy mounting**
Type 5750 has an uncomplicated construction and is therefore very easy to mount even with pneumatic tools, just separate the top part from the bottom part.
- **Easy maintenance**
Type 5750 requires no tools for maintenance.
- **Safety**
During maintenance it is easy to click of the actuator making sure that the valve can not be activated unintentionally - simply pull the two splits outwards and lift the actuator incl. the attached top part of the bracket.



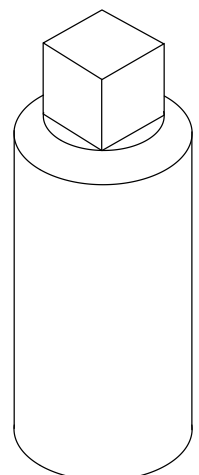
Standard Brackets

- **Easy mounting**
Type 5700 has an uncomplicated construction and is therefore very easy to mount.
- **No maintenance**
Type 5700 requires no maintenance.
- **Heavy-duty**
Type 5700 has a robust design and is made of AISI 304.



Standard Couplings

- **Brackets & Couplings**
All couplings are made to fit both bracket type 5700 size 1 - 4 and bracket type 5750 (Quick Brackets) size 1 - 4.
- **No maintenance**
Type 580 requires no maintenance.
- **Heavy-duty**
Type 580 has a robust design and is made of AISI 304.

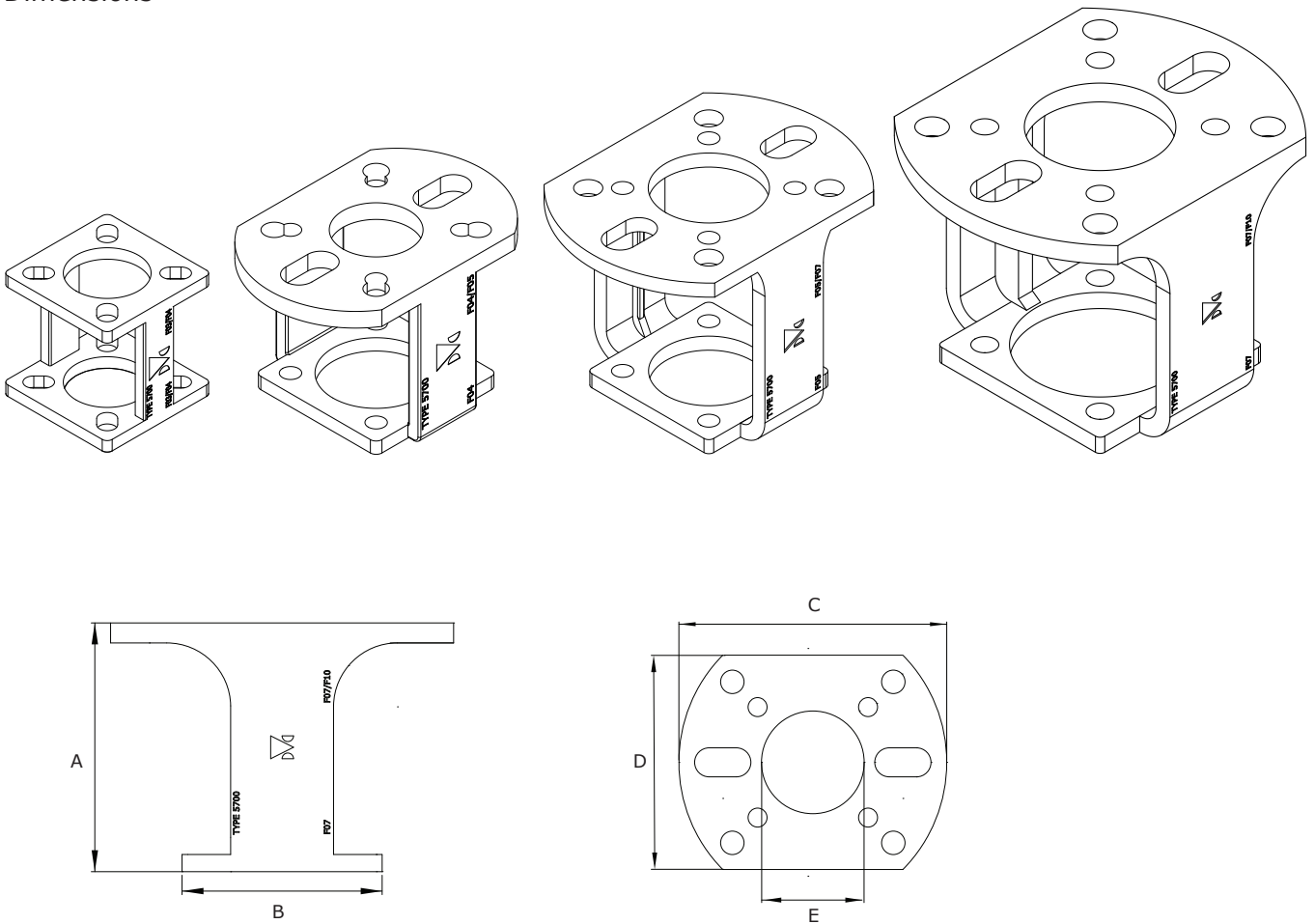


Bracket
Type 5700
Material AISI 304



- **Easy mounting**
Type 5700 has an uncomplicated construction and is therefore very easy to mount.
- **No maintenance**
Type 5700 requires no maintenance.
- **Heavy-duty**
Type 5700 has a robust design and is made of AISI 304. This type of bracket is cast - not welded - making it very durable.

■ Dimensions



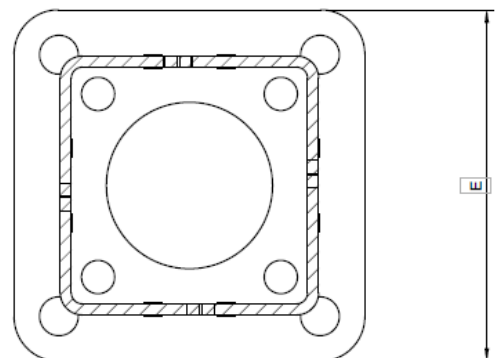
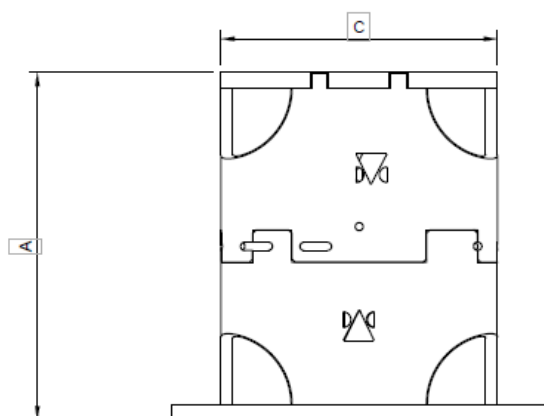
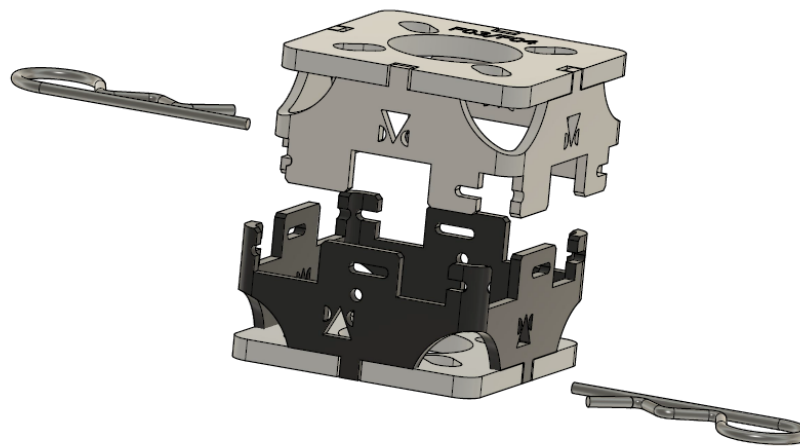
Size [mm]	A	B	C	D	E	F	Top ISO 5211	Bottom ISO 5211
1	42	42	42	42	Ø 25	Ø 25	F03 / F04	F03/F04
2	47	42	74	50	Ø 23	Ø 30	F04 / F05	F04
3	70	50	95	70	Ø 35	Ø 35	F05 / F07	F05
4	87	70	120	96	Ø 46	Ø 55	F07 / F10	F07

Quick Bracket
Type 5750
Material AISI 304



- **Adjustable**
Type 5750 can easily be adjusted to various dimensions of valves.
- **Easy mounting**
Type 5750 has an uncomplicated construction and is therefore very easy to mount even with pneumatic tools.
- **Easy maintenance**
Type 5750 requires no tools for maintenance.
- **Safety**
During maintenance it is easy to dismount the actuator making sure that the valve cannot be activated unintentionally.

■ Dimensions



Size [mm]	A	C	E	Top ISO 5211	Bottom ISO 5211
1	42	50	50	F03 / F04	F03/F04
2	47	50	50	F04 / F05	F04/F05
3	70	70	70	F05 / F07	F05/F07
4	87	70	95	F07 / F10	F07

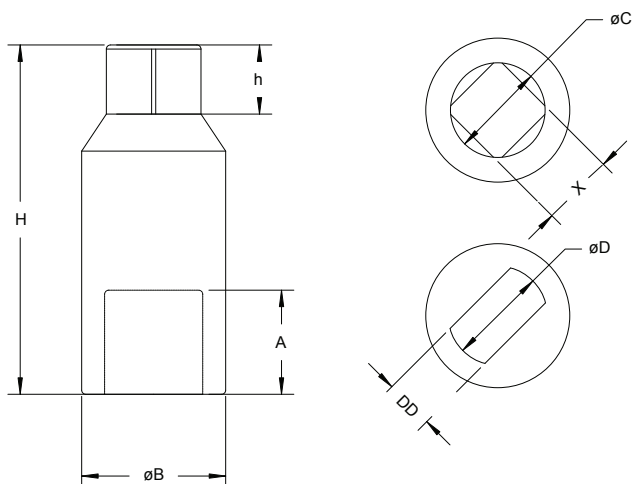
Coupling
Type 580
Material AISI 304



- **Brackets & Couplings**
All couplings are made to fit either bracket type 5700 size 1 - 4 and bracket type 5750 (Quick Brackets) size 1 - 4.
- **No maintenance**
Type 580 requires no maintenance.
- **Heavy-duty**
Type 580 has a robust design and is made of AISI 304.
- **Two versions**
We have two versions of couplings in our product range - one type to use on square stems and another type to use on Double D stems.

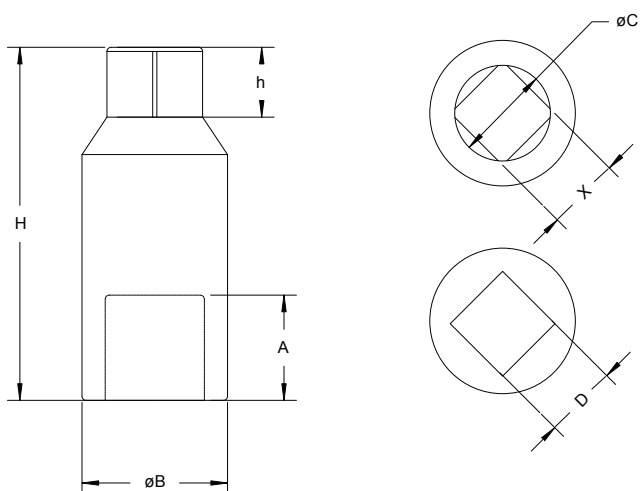
■ Dimensions

Double D



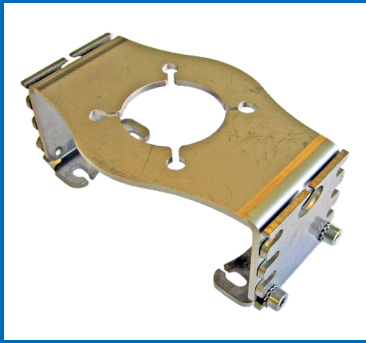
Product no.	A	øB	øC	øD	DD	H	h	X
5802211109	12	12.0	12	12.0	6.5	41	10	9
5802210101	8	17.0	14	12.0	6.5	51	10	11
5802210109	9	17.2	12	11.5	6.5	51	10	9
5802201211	11	22.0	14	12.0	8.0	53	11	11
5802202214	11	18.0	18	11.0	8.0	46	15	14
5802232324	13	30.0	18	17.0	9.7	67	15	14

Square



Product no.	A	øB	øC	D	H	h	X
5800210099	13	21.5	14.0	9	54	12	9
5800210091	11	17.0	14.5	9	55	12	11
5800210111	15	20.0	14.0	11	54	12	11
5800220111	15	19.5	14.0	11	59	11	11
5800220114	13	22.0	17.5	11	62	15	14
5800230111	13	21.5	14.5	11	81	11	11
5800230144	29	25.0	18.0	14	85	15	14
5800230177	18	29.5	23.0	17	84	17	17
5800240177	20	32.0	22.0	17	110	20	17
5800240172	34	34.5	27.5	17	105	25	22
5800240122	32	32.0	27.5	22	101	15	22

Multi Adjustable Bracket
Type 5701
Material AISI 304



- **Application**
This type of bracket is mainly used for mounting positioners and limit switches.
- **No maintenance**
Type 5701 requires no maintenance.
- **Heavy-duty**
Type 5701 has a robust design and is made of AISI 304.
- **Easy adjustment**
To adjust the bracket simply loosen the screws and move the top to the desired height and fasten the screws.

Closed stem extension
Type 5861
Material CF8M



- **Closed stem extension**
This type of bracket is used as stem extension, to lift the handle or actuator from the valve in case of excessive heat or cold.
- **Easy insulation around valve and extension.**
- **No maintenance**
Type 5861 requires no maintenance.
- **Heavy-duty**
Type 5861 has a robust design and is made of stainless steel.



Know-how makes the difference

Dansk Ventil Center A/S

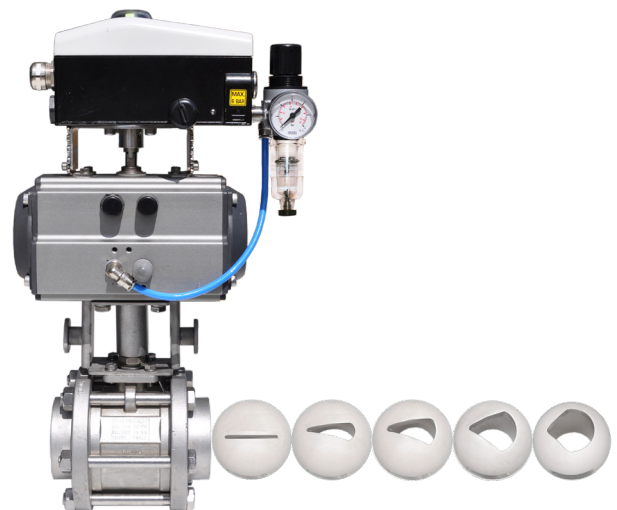
Product Range

- Ball Valves
- Butterfly Valves Soft Seated
- Butterfly Valves Metal Seated
- Angle Seat Valves
- Thin Wafer Check Valves
- Safety Valves
- Knife Gate Valves
- Pneumatic Actuators
- Electrical Actuators
- Brackets for Actuators
- Limit Switches
- Level Gauges - Reflex & Transparent
- Control Valves
- Pressure Reducing Valves

Dansk Ventil Center is committed to meeting the needs of customers in an environmentally sound and sustainable manner, through continuous improvements in environmental performance in all our activities.

Dansk Ventil Center is located in the northern part of Europe, in the heart of Denmark.

Visit us at www.dvcas.dk and learn more about Dansk Ventil Center and our products.



Dansk Ventil Center A/S
Ferrarivej 14
DK-7100 Vejle
Denmark

Tel.: +45 75 72 33 00
Fax: +45 75 72 75 15
E-mail: mail@dvcas.dk
Web: www.dvcas.dk

